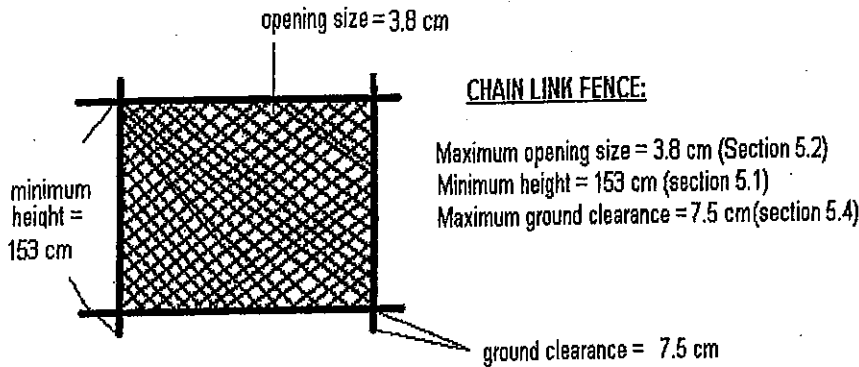
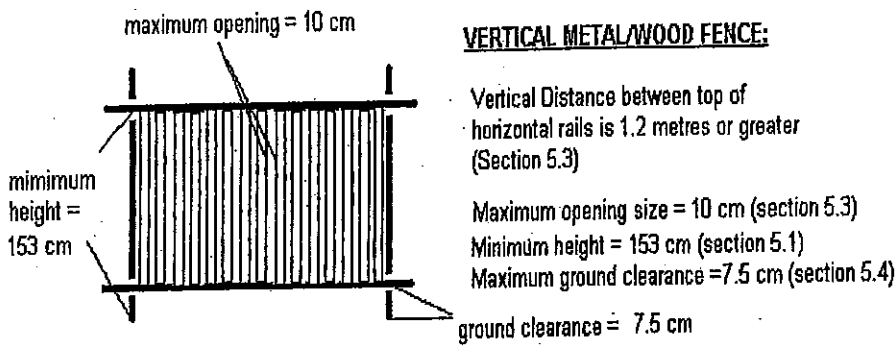


SWIMMING POOL FENCING INFORMATION SHEET:



CHAIN LINK FENCE:

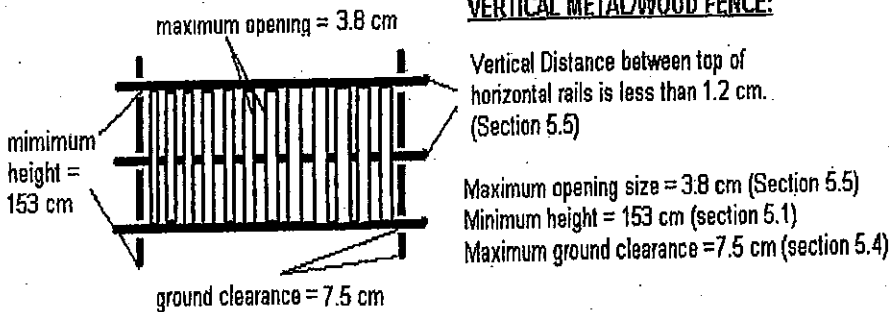
Maximum opening size = 3.8 cm (Section 5.2)
Minimum height = 153 cm (section 5.1)
Maximum ground clearance = 7.5 cm (section 5.4)



VERTICAL METAL/WOOD FENCE:

Vertical Distance between top of horizontal rails is 1.2 metres or greater (Section 5.3)

Maximum opening size = 10 cm (section 5.3)
Minimum height = 153 cm (section 5.1)
Maximum ground clearance = 7.5 cm (section 5.4)



VERTICAL METAL/WOOD FENCE:

Vertical Distance between top of horizontal rails is less than 1.2 metres (Section 5.5)

Maximum opening size = 3.8 cm (Section 5.5)
Minimum height = 153 cm (section 5.1)
Maximum ground clearance = 7.5 cm (section 5.4)